

# PINNACLE

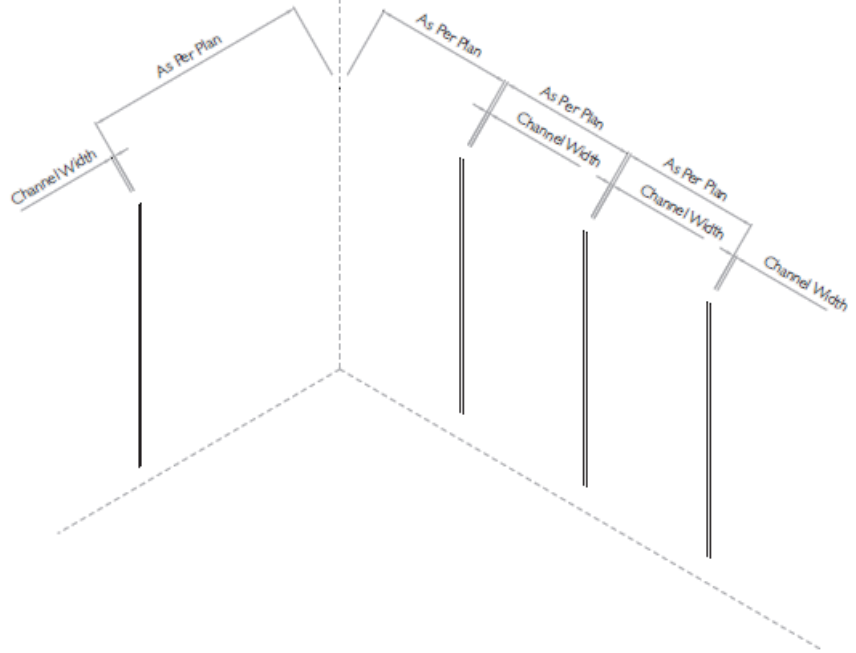
## PARTITIONING SYSTEM INSTALLATION GUIDE



**HALE MANUFACTURING LTD**  
PARTITION AND WASHROOM SYSTEMS

## STEP 1

Mark out for wall channels to house partitions as per the supplied plan.



### Assembly Tool Kit Supplied

- 1 Phillips head screw bit
- 1 1/8" drill for 6g screws
- 1 5/32" drill for 10g screws

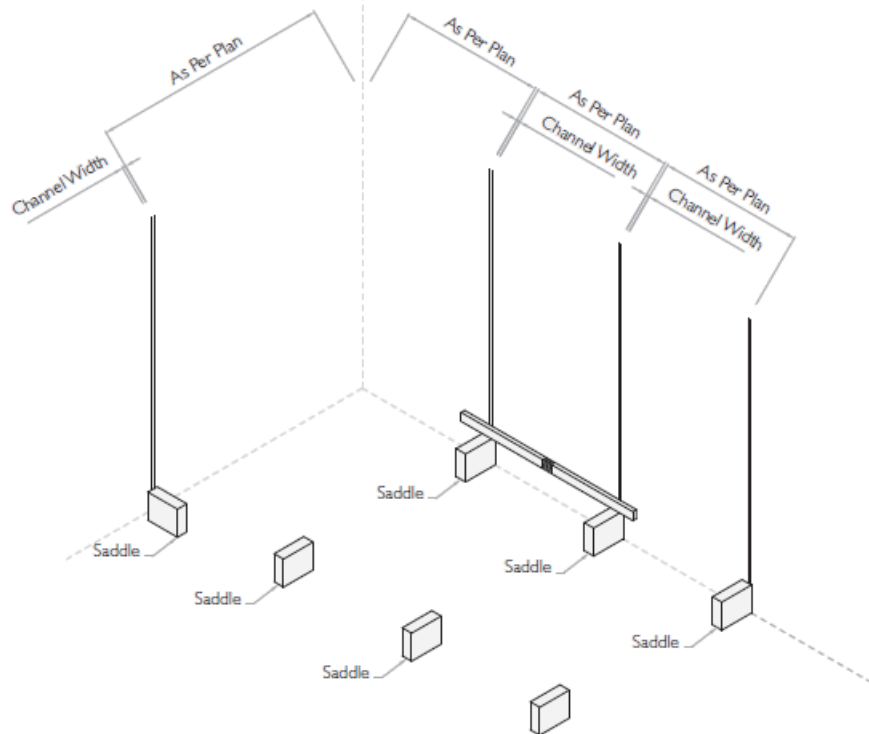
### Screws per cubicle

- 12 8g x 1 1/2" wall/floor fixing
- 12 6mm green plugs
- 15 10g channel screws
- 4 6g x 3/4" screws (headrail)

## STEP 2

Position saddles under the channel markings. With a level, find the lowest saddle which is 172mm (standard) or otherwise nominated on the plans.

Level all other saddles down from the lowest saddle so as the nominated saddle height is highest saddle.



**HALE MANUFACTURING LTD**  
PARTITION AND WASHROOM SYSTEMS

## STEP 3

Fix Channel (A) to back wall by placing on top of the leveled saddles.

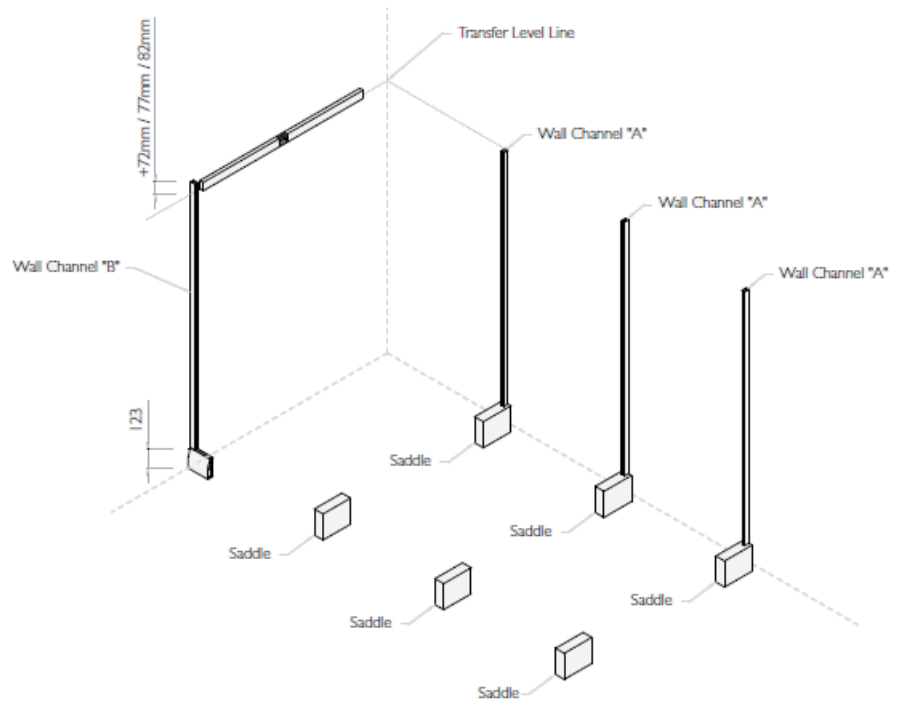
### DO NOT CUT

Level across from the top of channel (A) to wall markings for wall channel (B).

From the project line add the tolerance for the provided headrail.

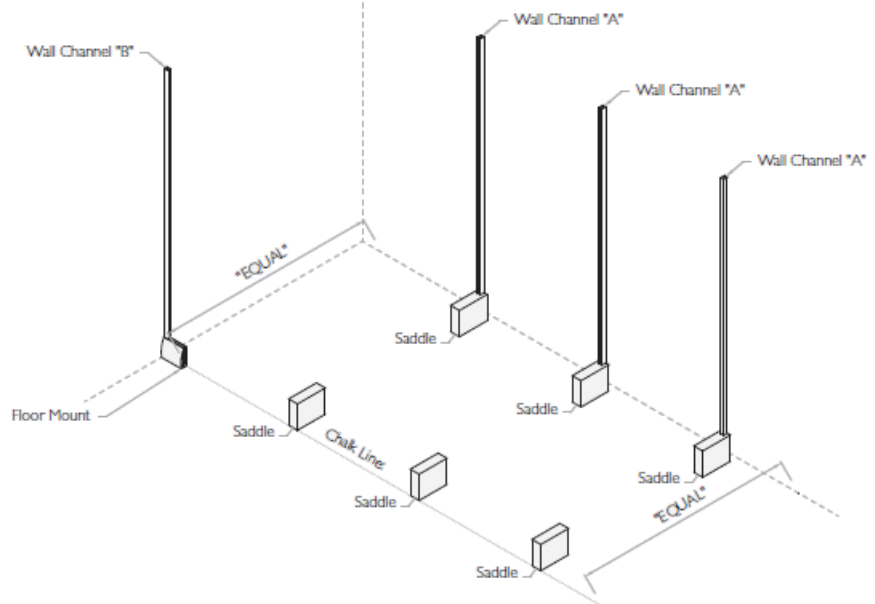
- Square headrail add 72mm
- Round & Hex headrails add 77mm
- Slimline headrail (Standard) add 82mm

Place floor mount under wall channel "B" to obtain correct cutting length. Fit wall channel "B" to wall.



## STEP 4

Draw a chalk line level with the inside edge of wall Channel (B) to an equal distance from the opposite end. This mark will give you the back edge of the floor mounts.



**HALE MANUFACTURING LTD**  
PARTITION AND WASHROOM SYSTEMS

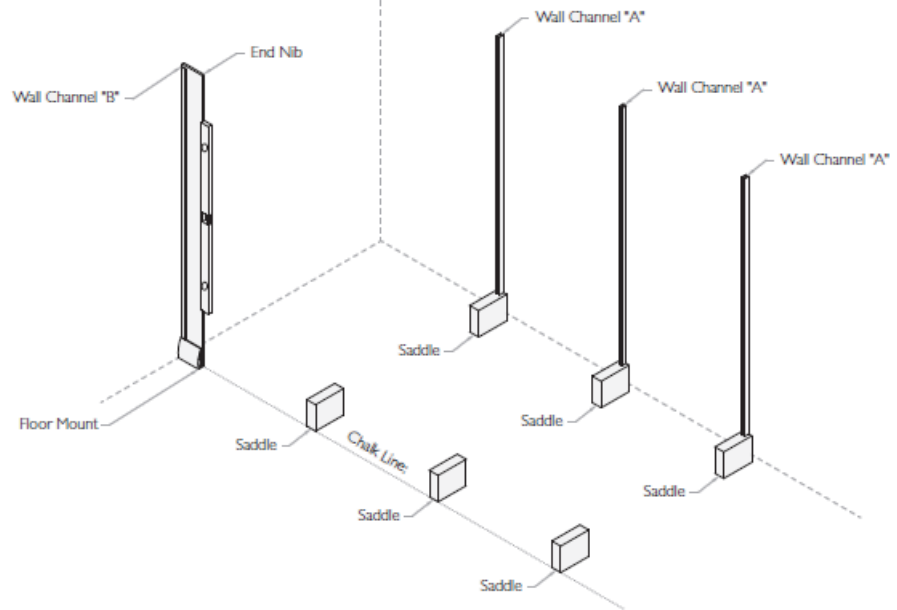
## STEP 5

Place end nib into channel and level. Mark floor to get measurement for end Floor Mount. Cut Floor Mount 1mm longer. Cut the Floor mount on end butting into the wall. Fit Floor mount to floor as per Fixing the Floor Mount System.

Fit the end nib to the channel and Floor Mount.

The end nib should be proud of channel "B"

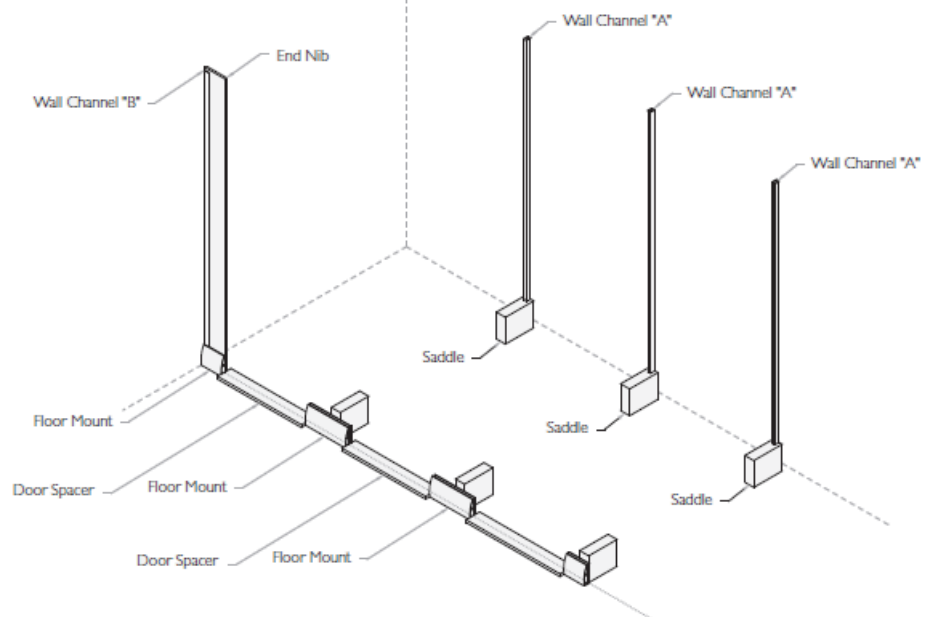
- 18mm for slimline (Standard) headrail
- 23mm for Round & Hex headrail
- 28mm for square headrail.



## STEP 6

Place door spacers and floor mounts into position to check the overall dimensions.

Centre floor mounts supplied cut to size with 1mm overhang each side of frontal.



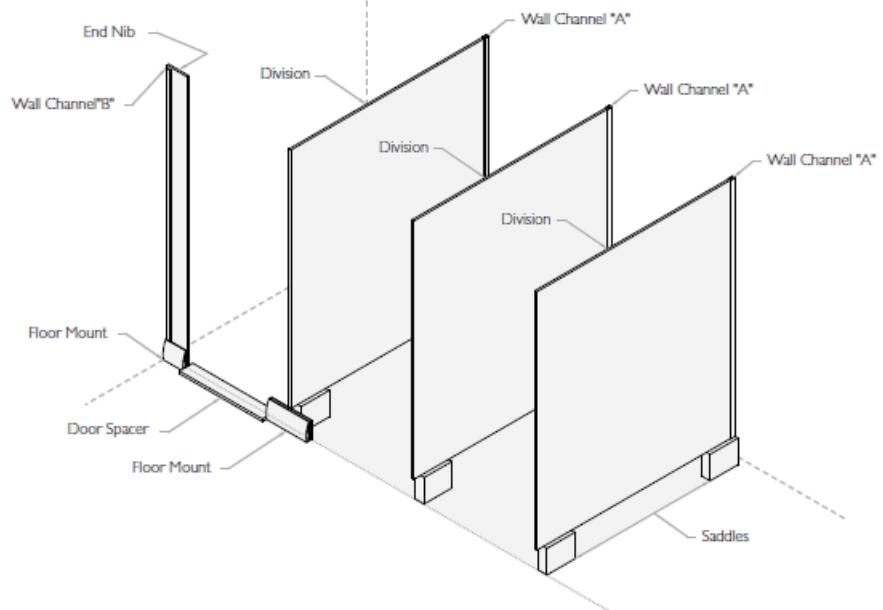
**HALE MANUFACTURING LTD**  
PARTITION AND WASHROOM SYSTEMS

## STEP 7

Locate all divisional panels into the rear channels (A) resting onto the saddles.

### DO NOT SCREW OFF YET

Fit the floor mount for the corresponding frontal hard against the door spacer. Ensure the back is level with the chalk line.



## STEP 8

Fit door hardware and hinges to door and nib. Fit wall channel (A) to the back of the frontal into the predrilled holes. Hang the door onto the end nib.

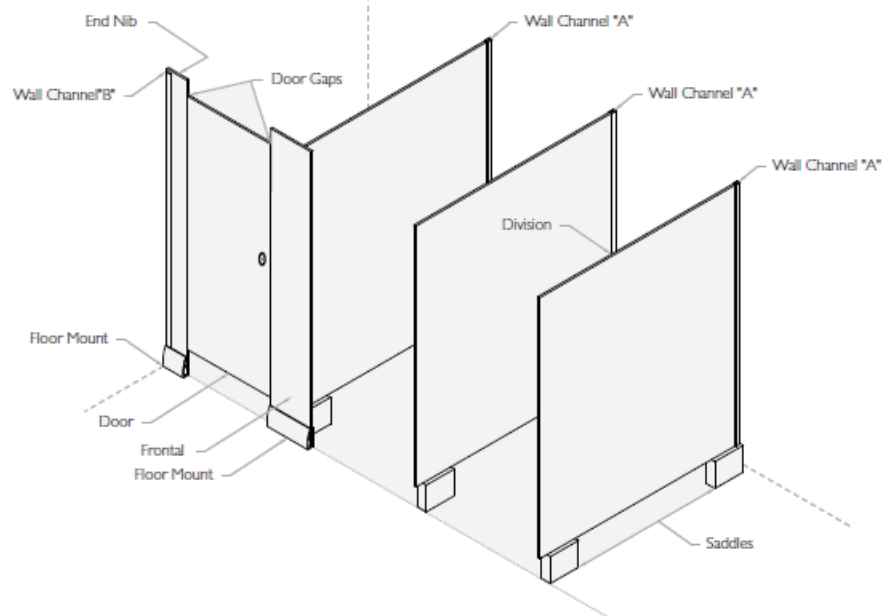
Place frontal over the division into position. Channel "A" should be flush with the top of the division.

Measure from the floor to the height of the division, deduct 10mm for the cutting measurement of the frontal.

Material can be cut using a jigsaw ensure that any deduction is made to the bottom of the panel.

Close the door and use packers between the frontal and door. Door frontal and division should be aligned.

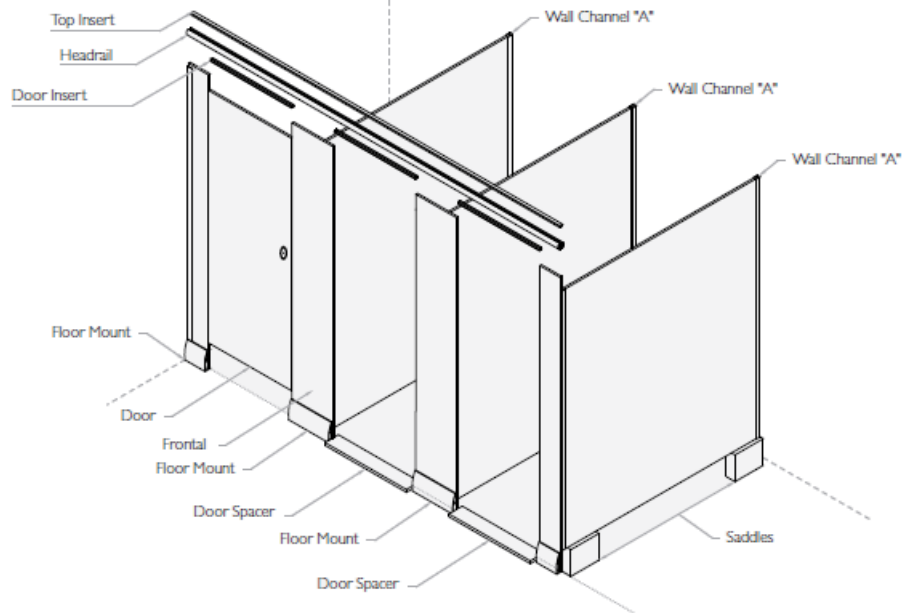
Fit frontal as per Fixing the Floor Mount System.



**HALE MANUFACTURING LTD**  
PARTITION AND WASHROOM SYSTEMS

## STEP 9

Fit the headrail over the top of the frontals. Fit door inserts above door openings



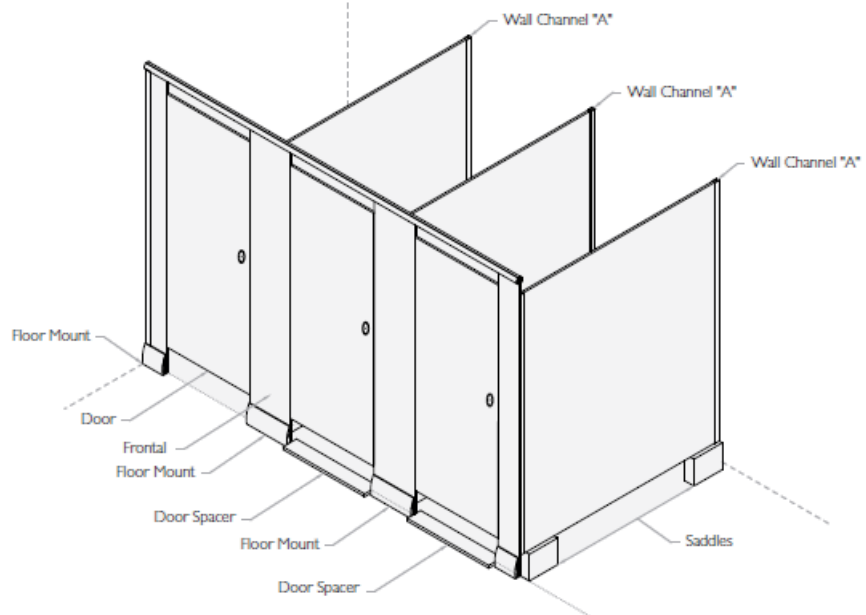
## STEP 10

Working from the hinge side, repeat step 8.

Fitting one door and frontal at a time. The door inserts will keep the door gaps at the top consistent. Fit the frontals to the floor mount.

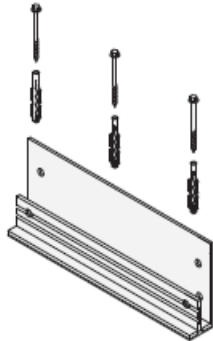
When all cubicles have been assembled, place a string line across the fronts.

Once all of the fronts are aligned, the divisions and end panels can be screwed off from the channels.



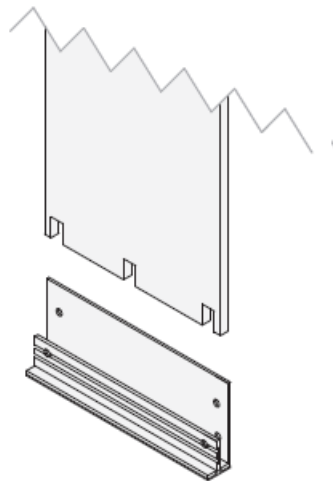
**HALE MANUFACTURING LTD**  
PARTITION AND WASHROOM SYSTEMS

**FIXING THE FLOOR MOUNT SYSTEM**



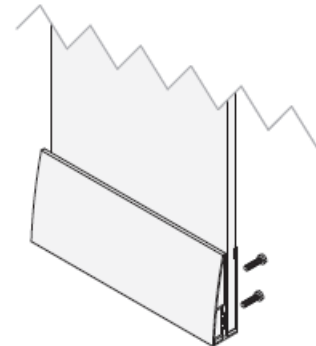
**STEP 1**

Position the backing plate and mark holes. Drill into the floor with the supplied masonry bit. Fit green plugs into the holes. Apply silicon to underside of the floor mount and fix with coach screws supplied.



**STEP 2**

Fit and scribe the bottom of nibs and frontals to the required site level. (Height – 10mm) This will keep the cut edge concealed in the floor mount.



**STEP 3**

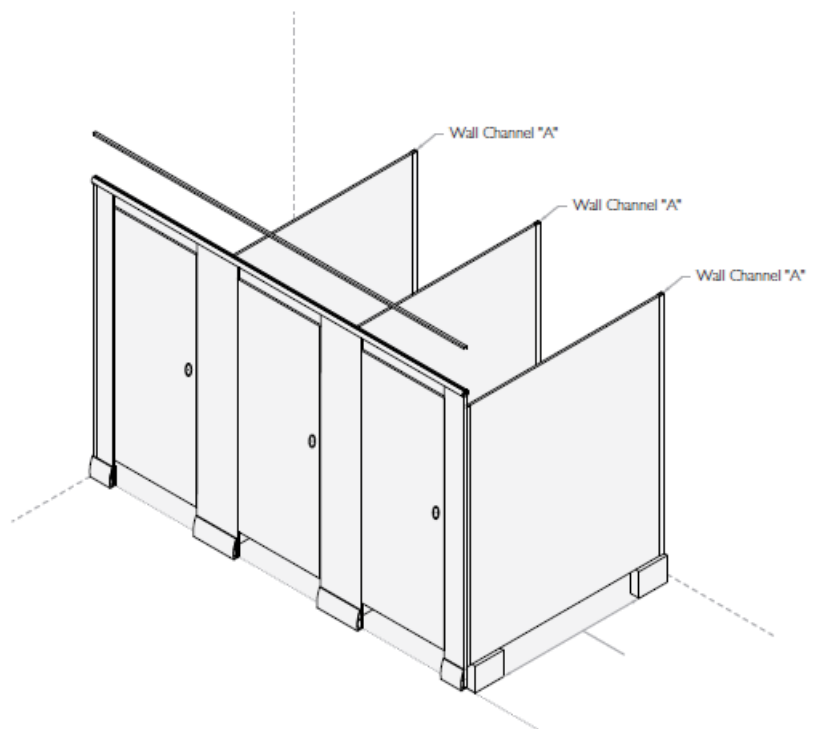
Fit the front plate onto the back plate. Fit board into position and level. Clamp Floor mount to sandwich the board firm. With the 5/32" bit, drill the board through the selected holes provided in the aluminium. Screw fix together.

**STEP 12**

When all door gaps are equal screw through the top of the head-rail into the top of the frontals and nibs.

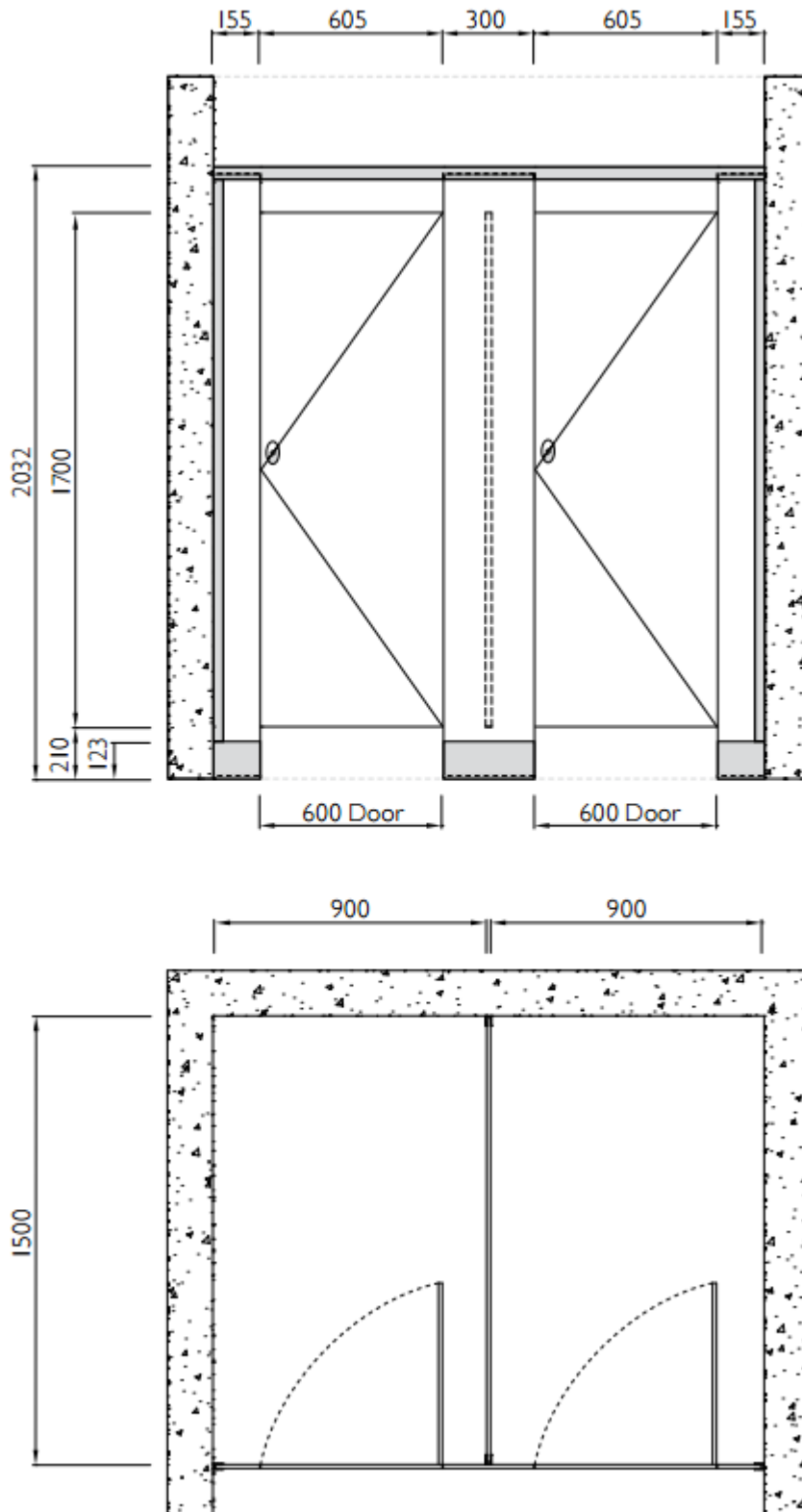
Fit the top insert into the head-rail.

Finally fit the floor mount end caps into position.



**HALE MANUFACTURING LTD**  
PARTITION AND WASHROOM SYSTEMS

# TYPICAL DETAIL



**HALE MANUFACTURING LTD**  
PARTITION AND WASHROOM SYSTEMS