

# STRATOS

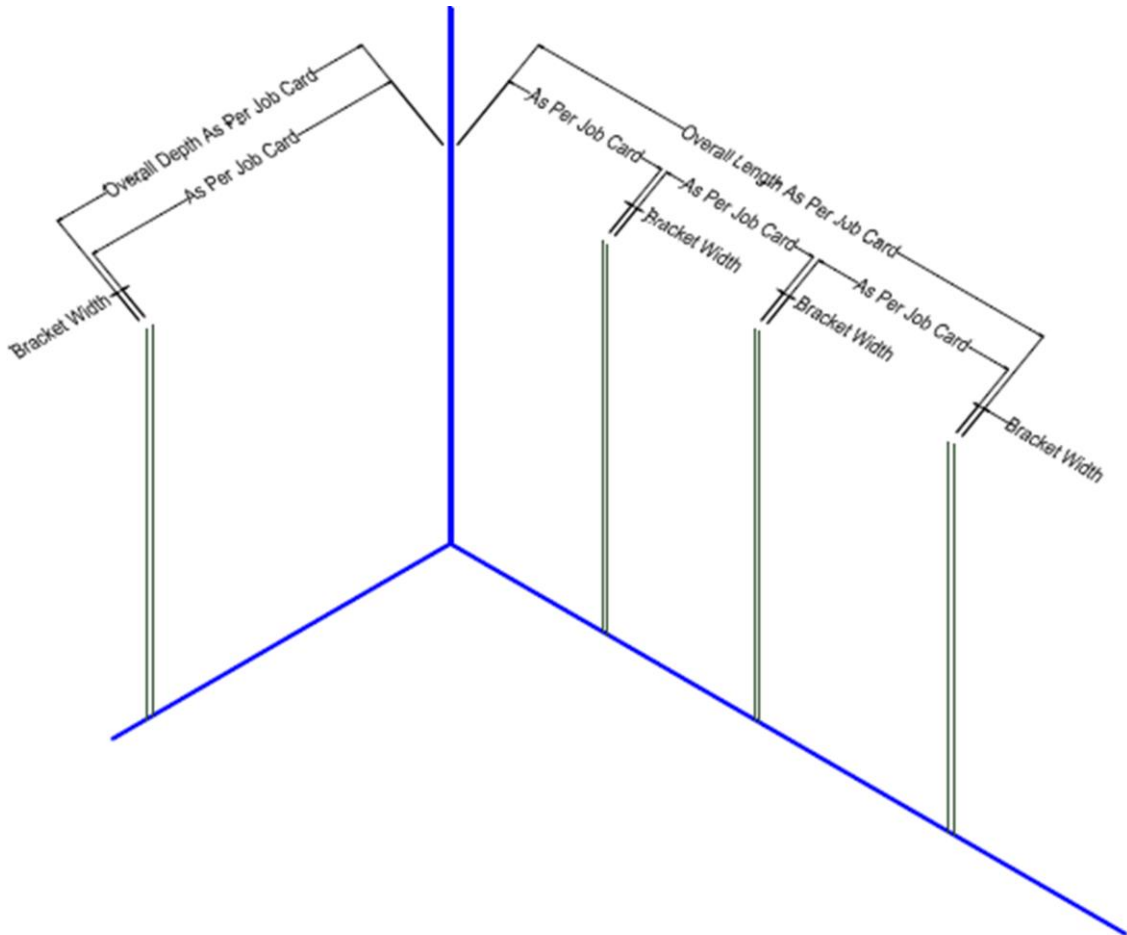
## PARTITIONING SYSTEM INSTALLATION GUIDE



**HALE MANUFACTURING LTD**  
PARTITION AND WASHROOM SYSTEMS

STEP 1

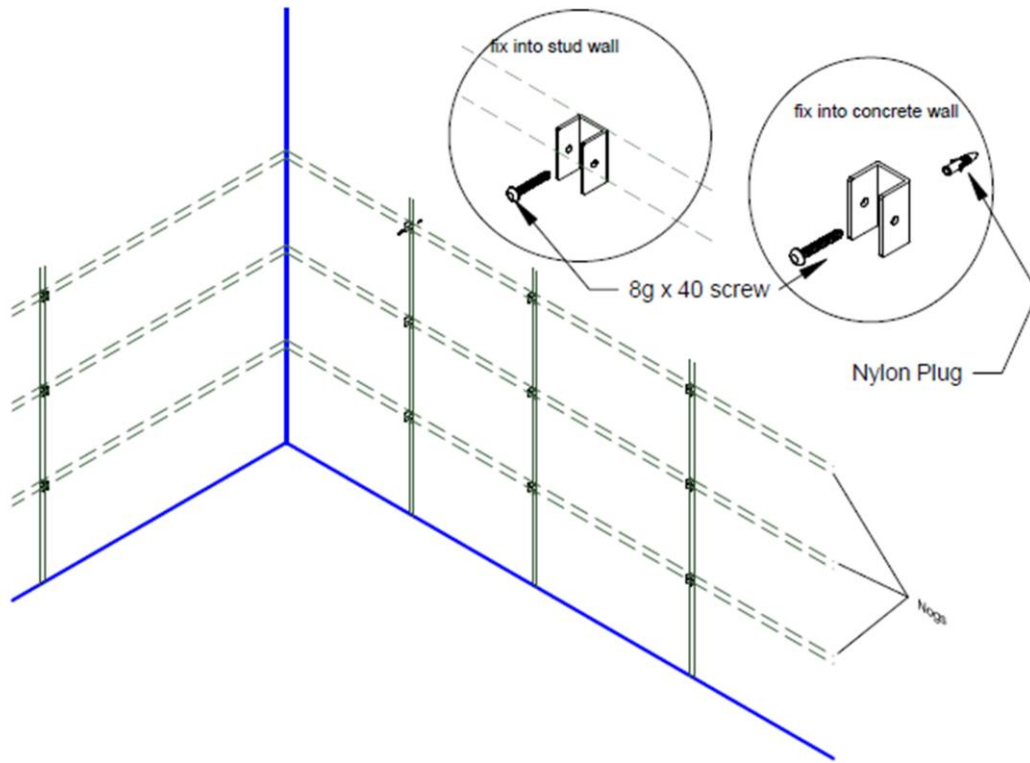
Mark Layout



**HALE MANUFACTURING LTD**  
PARTITION AND WASHROOM SYSTEMS

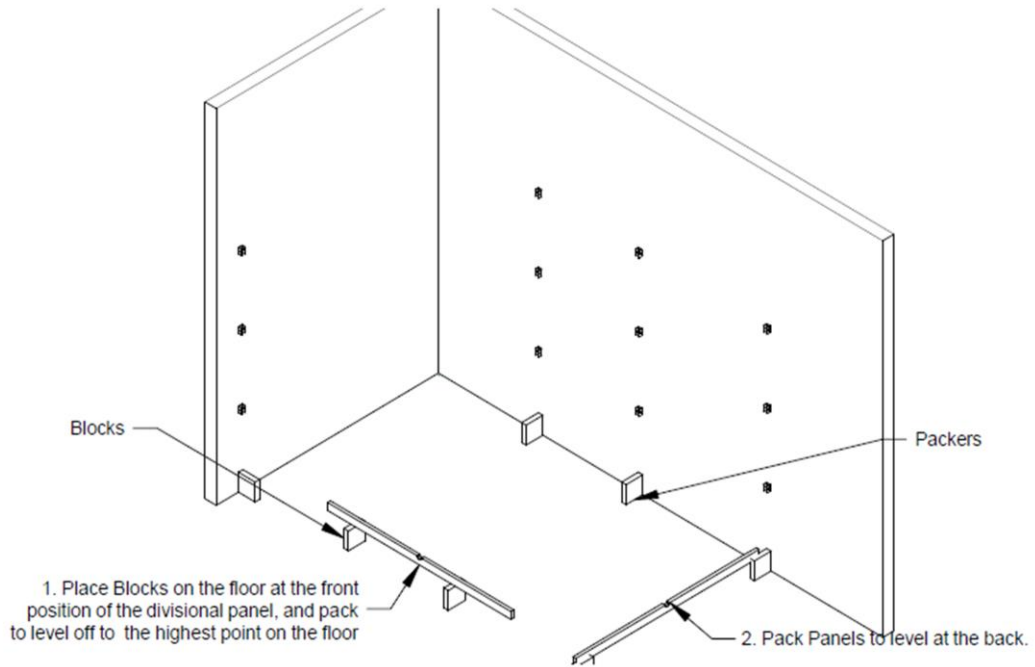
## STEP 2

### Fix Wall Brackets

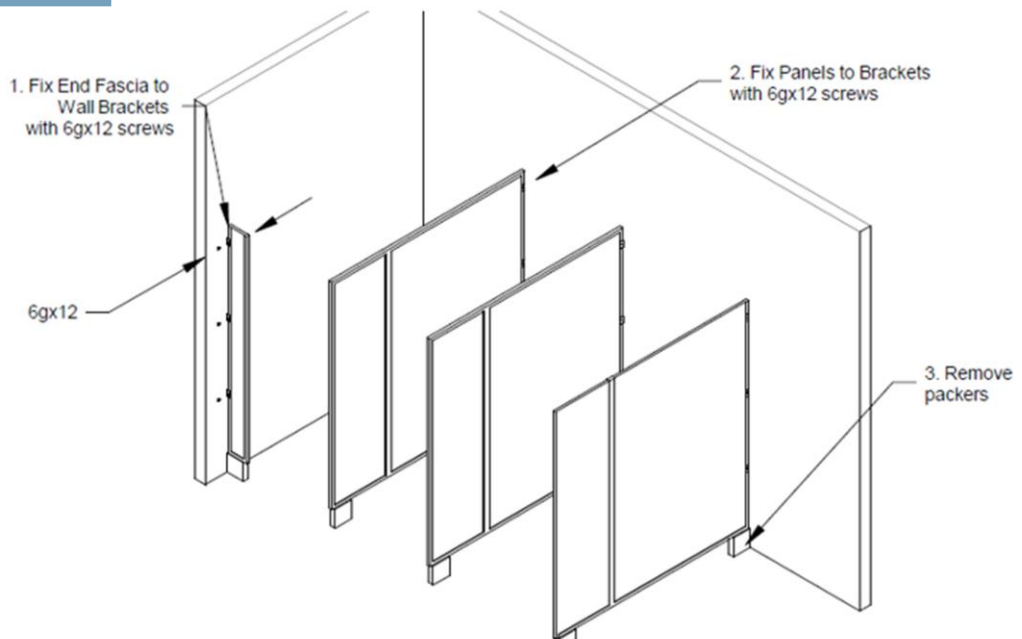


**HALE MANUFACTURING LTD**  
PARTITION AND WASHROOM SYSTEMS

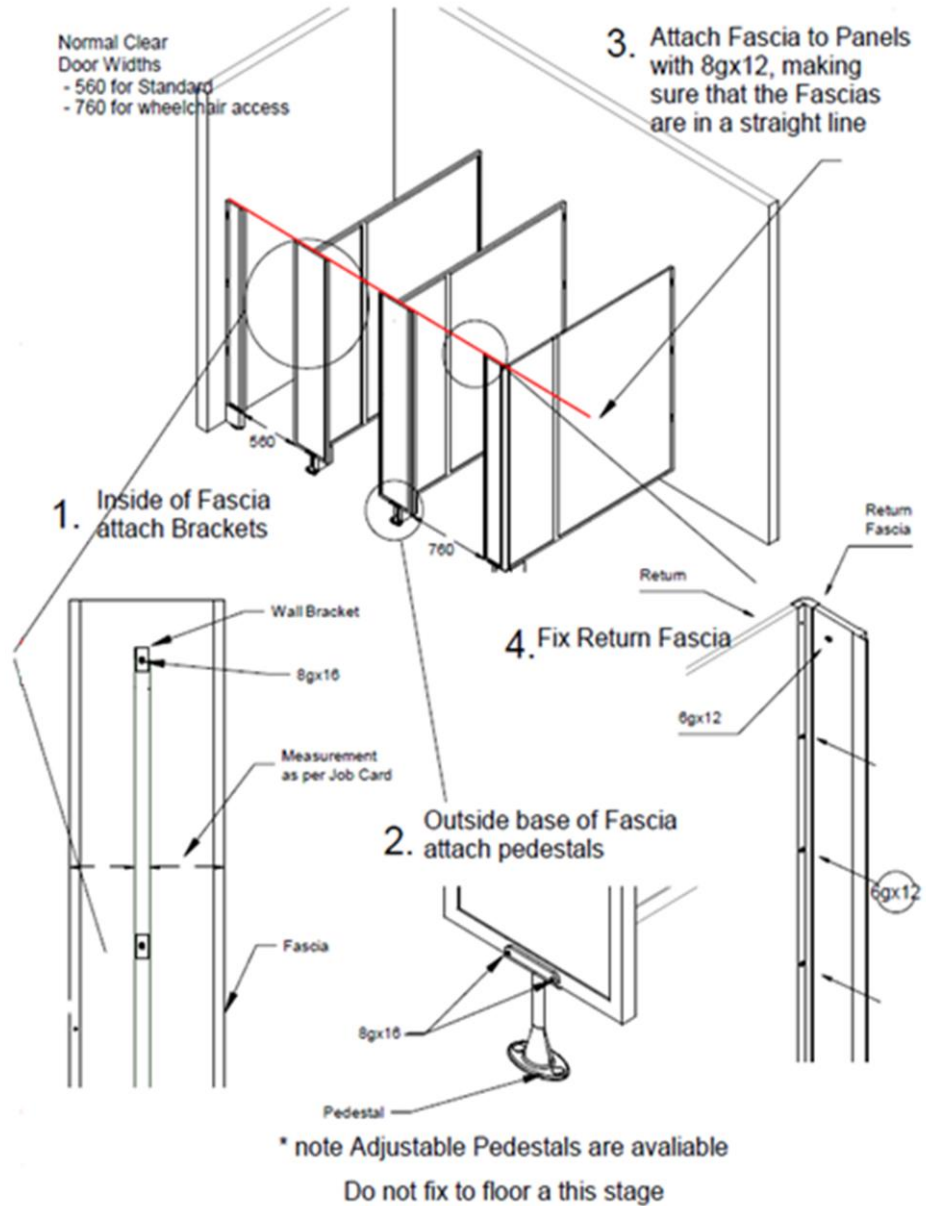
### STEP 3



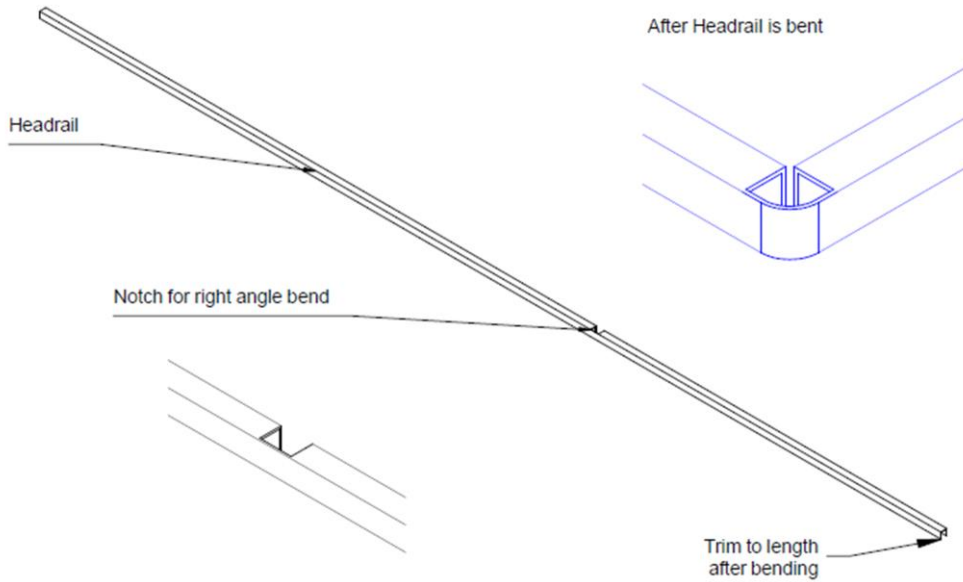
### STEP 4



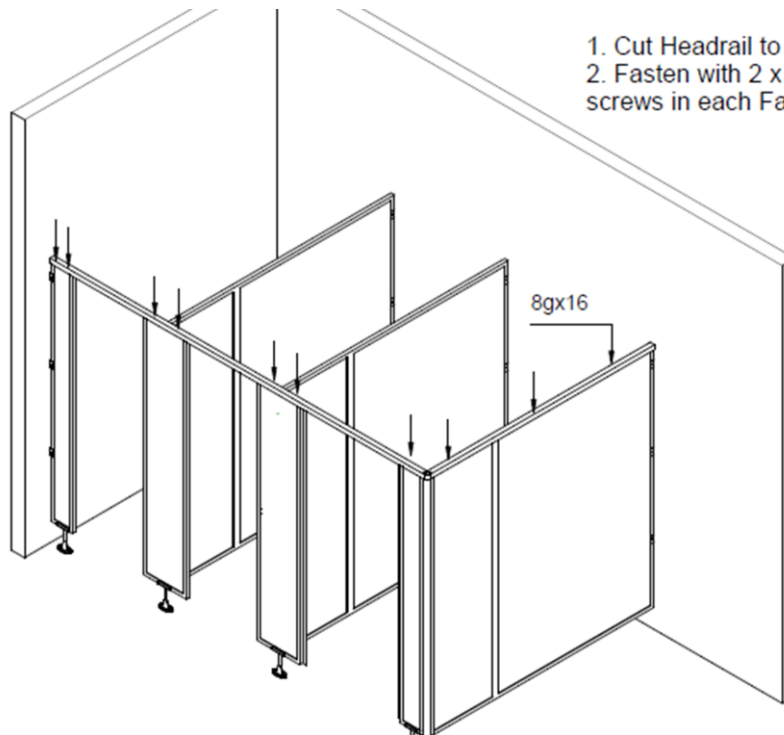
STEP 5



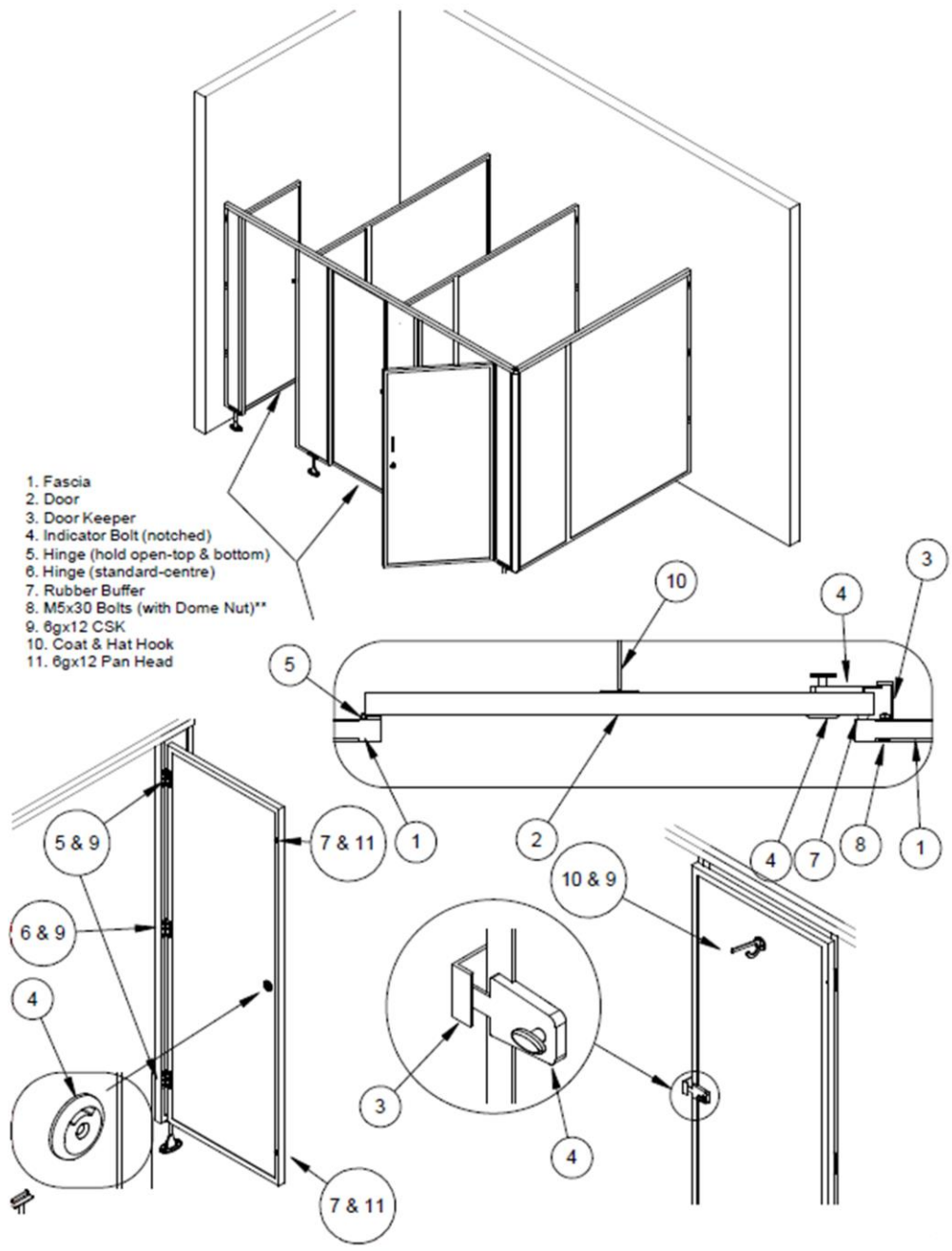
STEP 6



1. Cut Headrail to fit
2. Fasten with 2 x 6gx16 screws in each Fascia

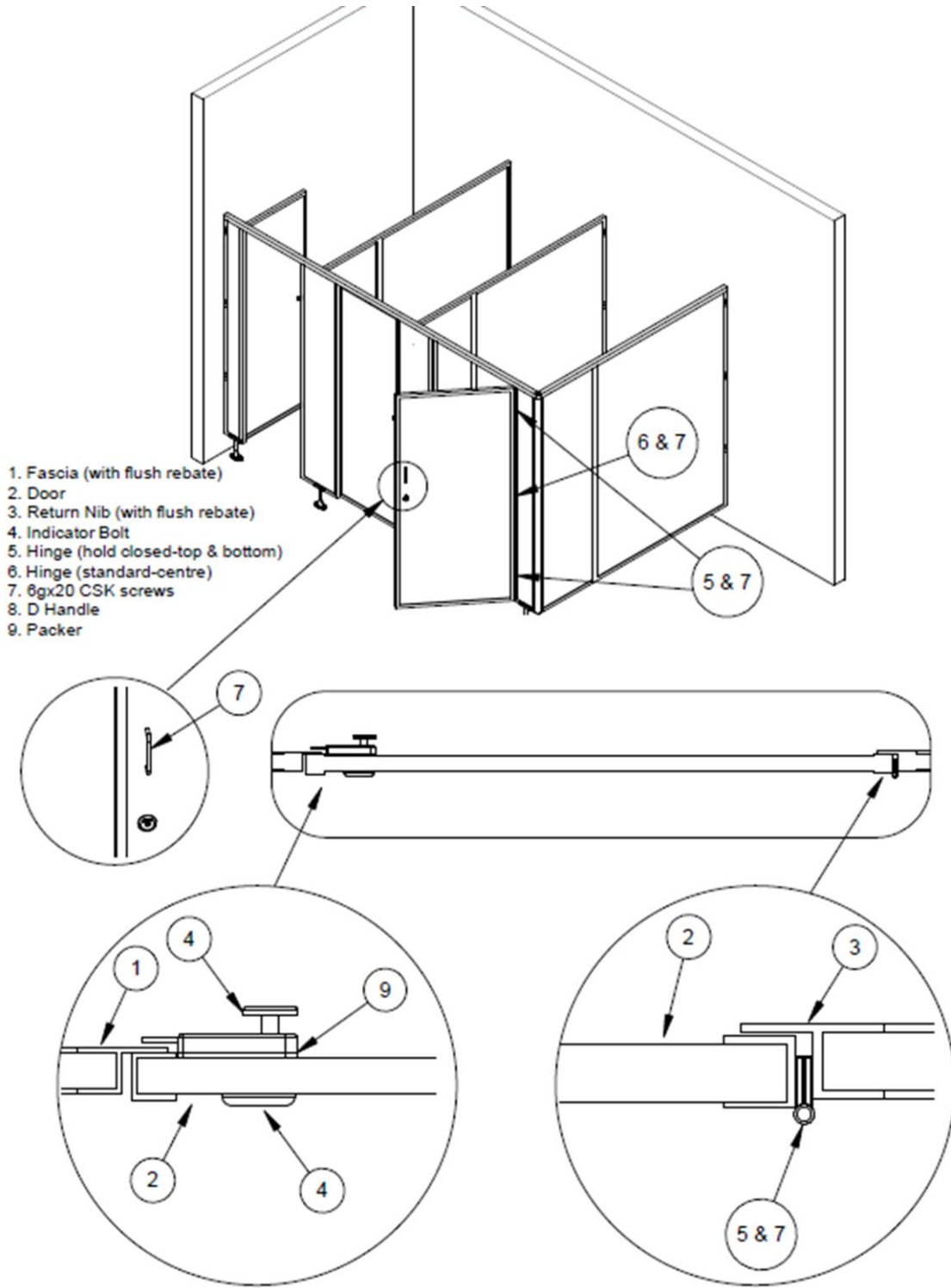


**STEP 7**

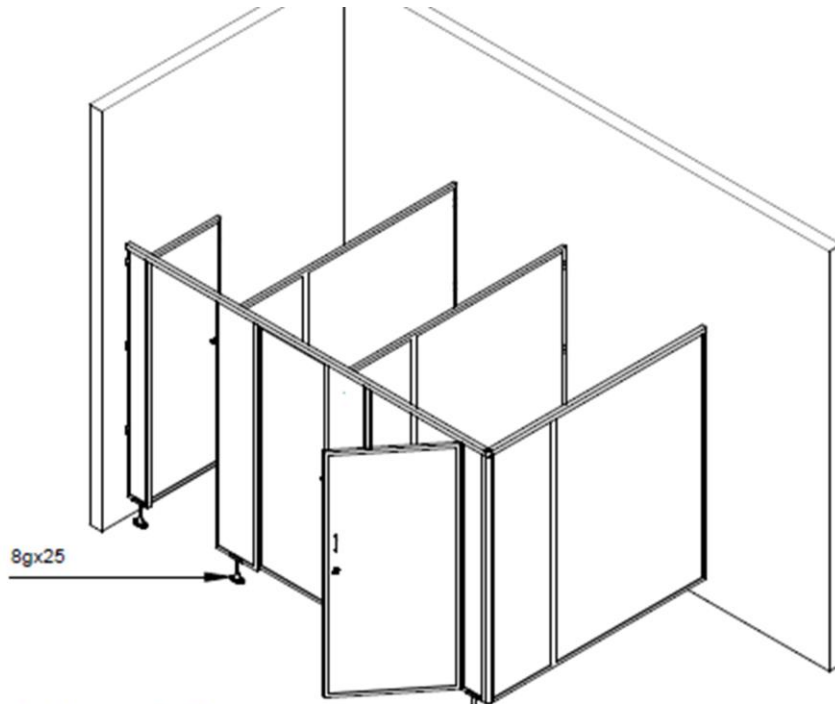


**HALE MANUFACTURING LTD**  
 PARTITION AND WASHROOM SYSTEMS

**STEP 8**





**STEP 9**

1. Starting from wall end
2. Make sure that the Doors Gaps are even and are parallel to the Fascias
2. Fix the Pedestals to the ground with 8gx25 (nylon plugs supplied)
3. **WARNING - IF TILES, MAKE SURE THEY HAVE BEEN GROUTED BEFORE DRILLING**
4. Clean down panels with solvent and wipe down with a dry cloth

**HALE MANUFACTURING LTD**  
PARTITION AND WASHROOM SYSTEMS

# TYPICAL DETAIL

